

BOOK OF ACCESSORIES



MAY 2021



welcome

TO OUR BOOK OF ACCESSORIES

No project is complete without the attention to detail and bespoke refinement made possible by carefully selected accessories.

Refinements are tailored to the individual needs of each discerning user. From enhancing furniture with handles and work surfaces, to including lighting for mood or function.

Accessories are a vital part of any project, the majority of which need to be incorporated at the planning stage, to avoid unsightly retro fit or costly post installation adjustments.

Take time and consideration in selecting your refinements from our specially selected and functional accessories.

contents

Handles	4 - 17	Waste Bins	37
		Pull Out Waste Bins	
Lighting & Power Accessories	18 - 25	Miscellaneous Accessories	38 - 39
Worktops 38mm Laminate	26 - 29	Plinths, Ducting Kits, Mitre Bonding, Worktop Joining Bolts, Plinth Sealing Strips	
Worktops 12mm Compact Laminate	30 - 31	Grills/Plinth Heaters	40
Internal Accessories	32 - 36	Bedroom Accessories	41 - 42
Wine racks, Chrome Pull Outs, Carousels, Magic Corner, Cutlery Drawer Accessories, Pull Out Larders, Heat Shield, Towel Rail, Adjustable Chrome Legs		Pull Out Shoe Rack, Pull Down Hanger	

Warranty & Aftercare Information.

Handles - 1 Year Warranty.
Please ensure handles are cleaned using a soft damp cloth, with nothing stronger than a mild soap solution.

Standard Kitchen Lighting - 3 Year Warranty.
Drivers - 1 Year Warranty.
Please ensure all electrical products are fitted by a fully qualified Electrician.

Work Surfaces - 1 Year Warranty.
Work-surfaces should be regularly maintained with a soft damp cloth and mild soap solution. Standing water should always be removed immediately.

Internal Cabinet Accessories - 1 Year Warranty.
Blum Internal Drawers - Lifetime Warranty.

Waste Bins - 1 Year Warranty.
Internal Drawer Accessories - 1 Year Warranty.
Miscellaneous Accessories - 1 Year Warranty.
Plinth Heaters/Convector - 5 Year Warranty.

Copyright License:

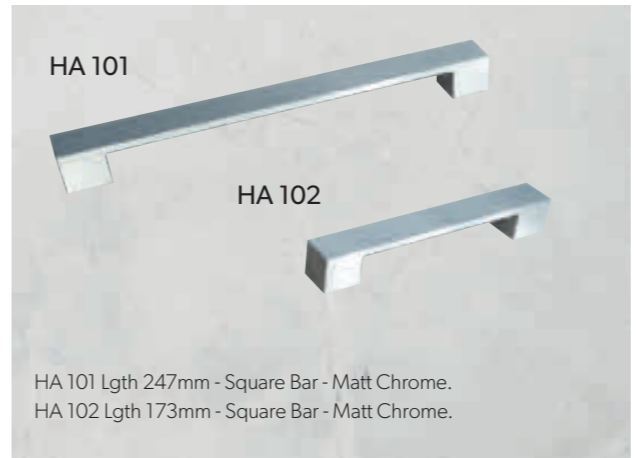
Copyright and intellectual property rights are maintained by the company and reproduction of any part of the book of accessories artwork, photography, logo or price list, may not be reproduced in any form without the written permission of the company.

Colour reproduction:
Colour reproduction in all publicity is dependent upon the photographic and printing processes available. We recommend that an actual sample is viewed to ensure close matches are acceptable.

E & O E. 2021.
In our continued process of product development we retain the right to alter and amend materials and specification without prior notice. See terms and conditions of sale.



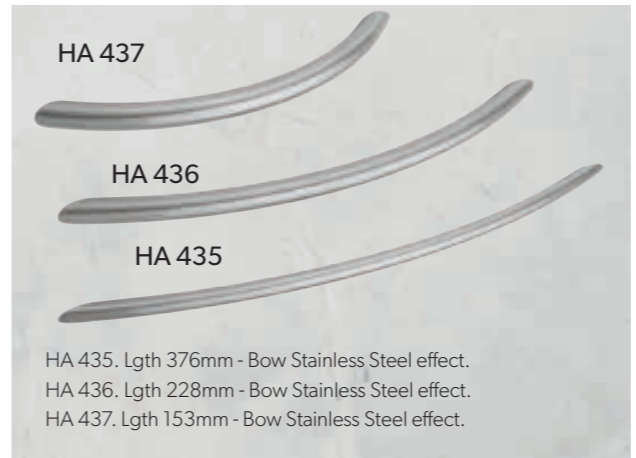
handles



HA 101
HA 102
HA 101 Lgth 247mm - Square Bar - Matt Chrome.
HA 102 Lgth 173mm - Square Bar - Matt Chrome.



HA 105X
HA 106
HA 105X Lgth 148mm - D Nickel.
HA 106 Lgth 167mm - Mitred D Matt Chrome.



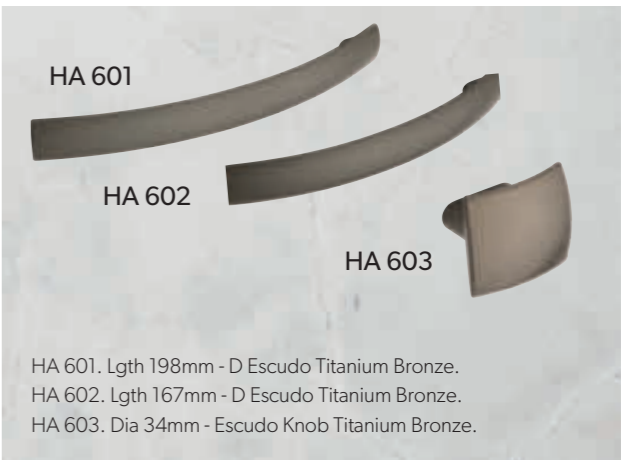
HA 437
HA 436
HA 435
HA 435. Lgth 376mm - Bow Stainless Steel effect.
HA 436. Lgth 228mm - Bow Stainless Steel effect.
HA 437. Lgth 153mm - Bow Stainless Steel effect.



HA 450
HA 451
HA 452
HA 450. Lgth 159mm - Dimple Strap Brushed Steel.
HA 451. Lgth 123mm - Dimple Strap Brushed Steel.
HA 452. Dia 33mm - Dimple Knob Brushed Steel.



HA 464
HA 469
HA 470
HA 471
HA 464. Dia. 38mm - White Ceramic Knob.
HA 469. Dia. 32mm - Knob Chrome.
HA 470. Dia. 32mm - Knob Brass.
HA 471. Dia. 32mm - Knob Stainless Steel effect.



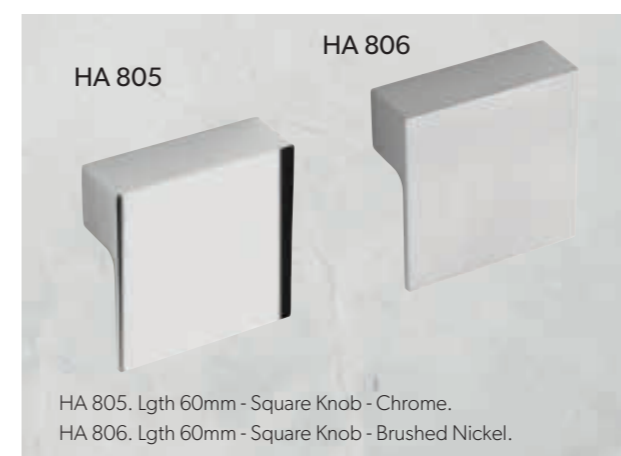
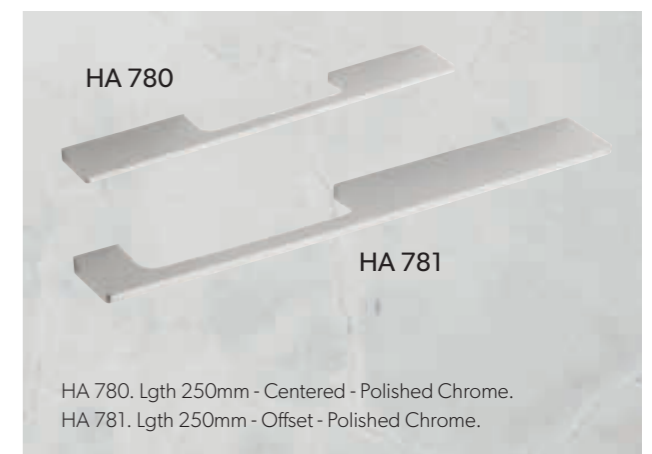
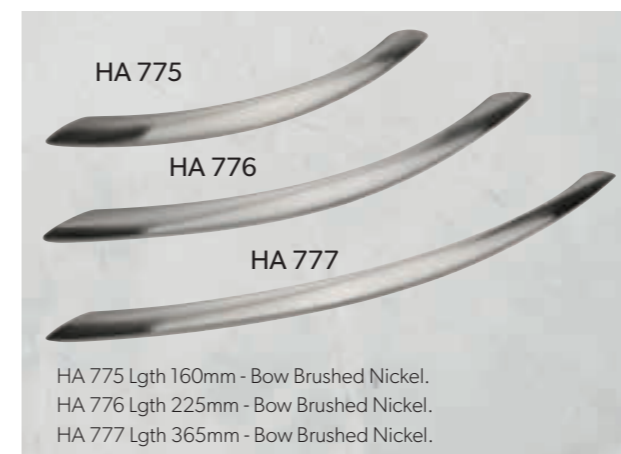
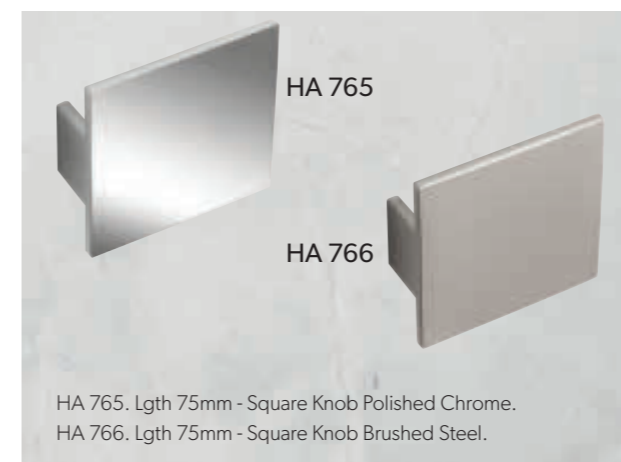
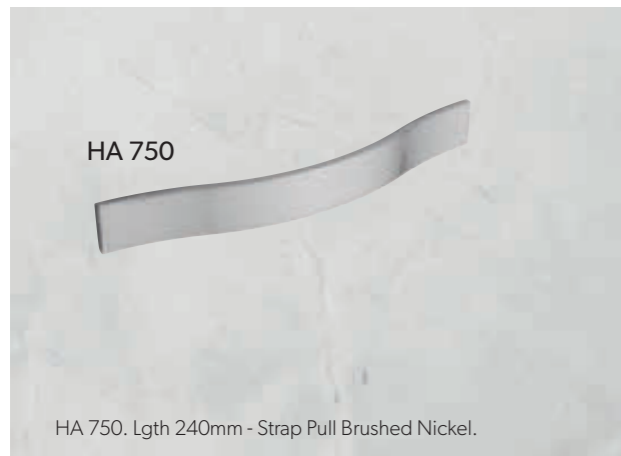
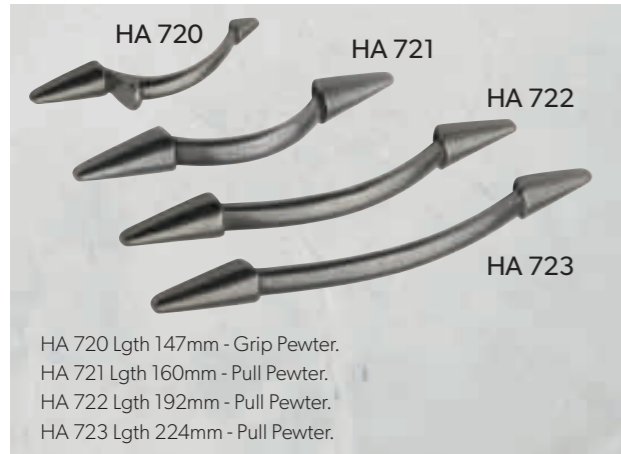
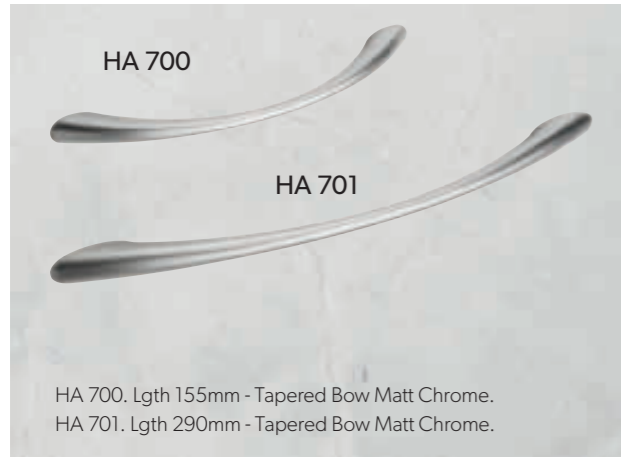
HA 601
HA 602
HA 603
HA 601. Lgth 198mm - D Escudo Titanium Bronze.
HA 602. Lgth 167mm - D Escudo Titanium Bronze.
HA 603. Dia 34mm - Escudo Knob Titanium Bronze.

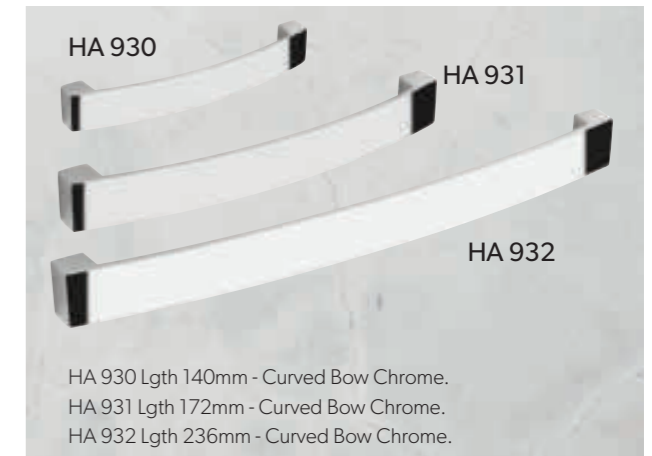
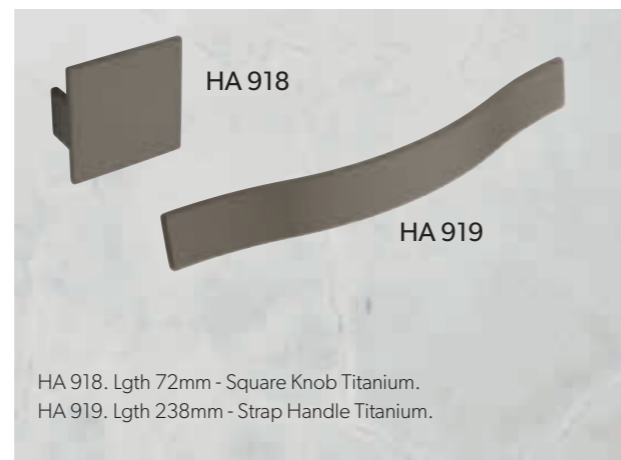
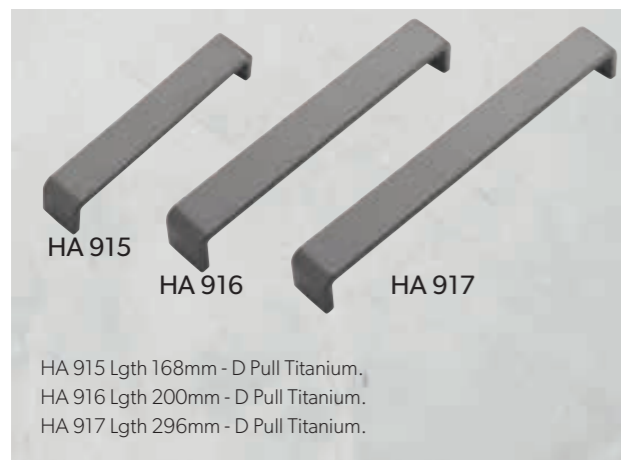
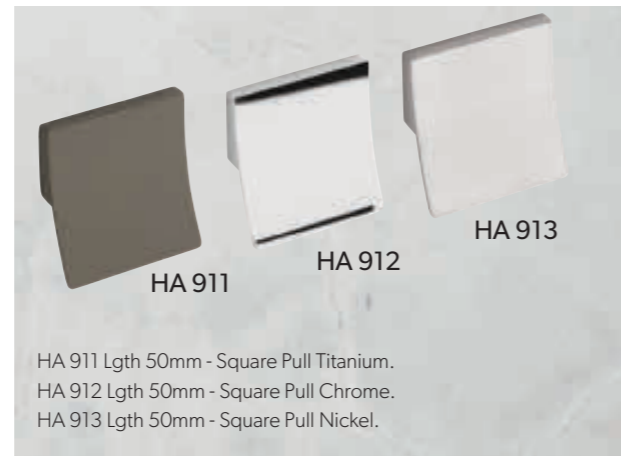


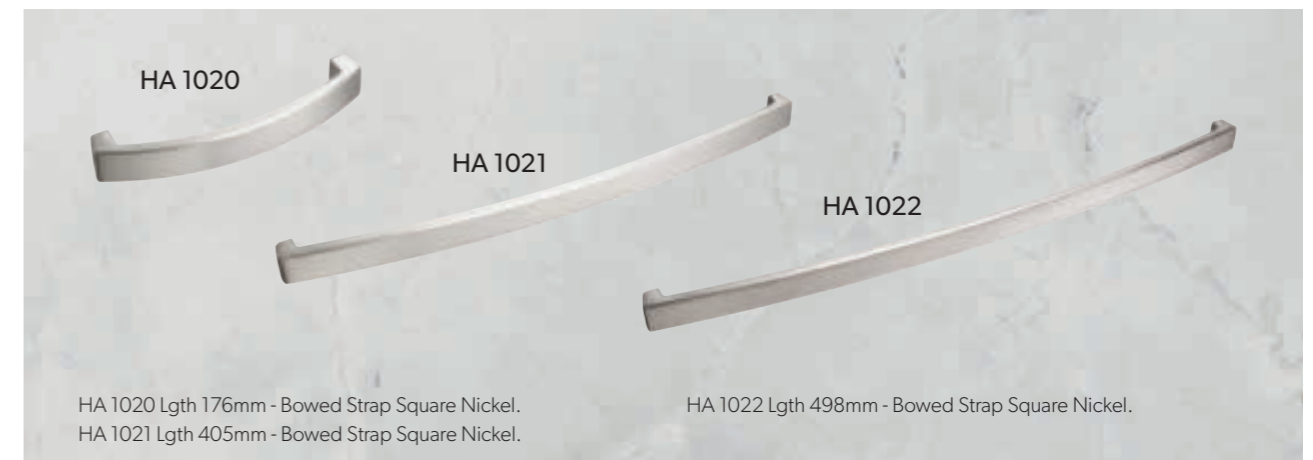
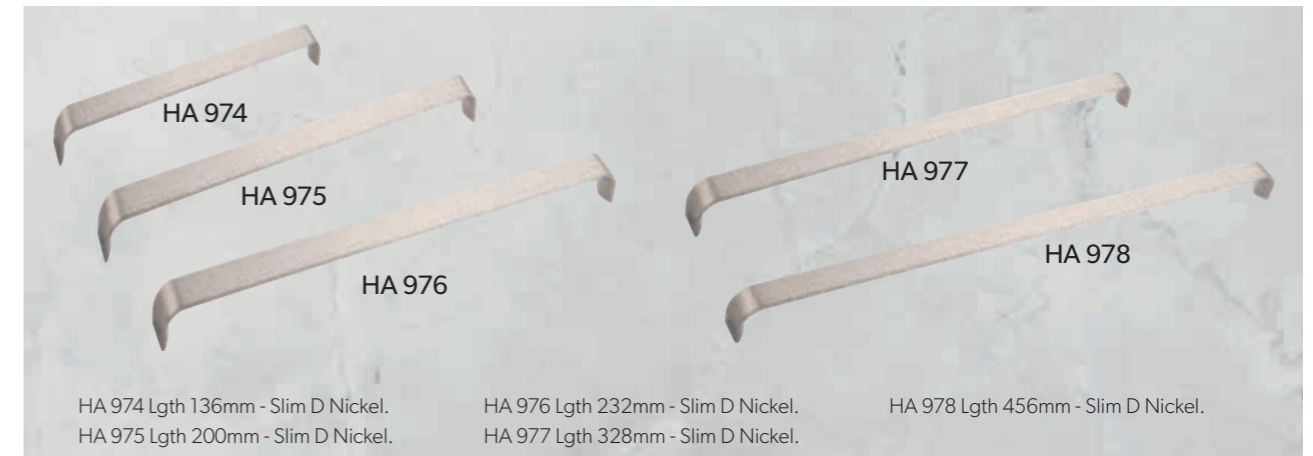
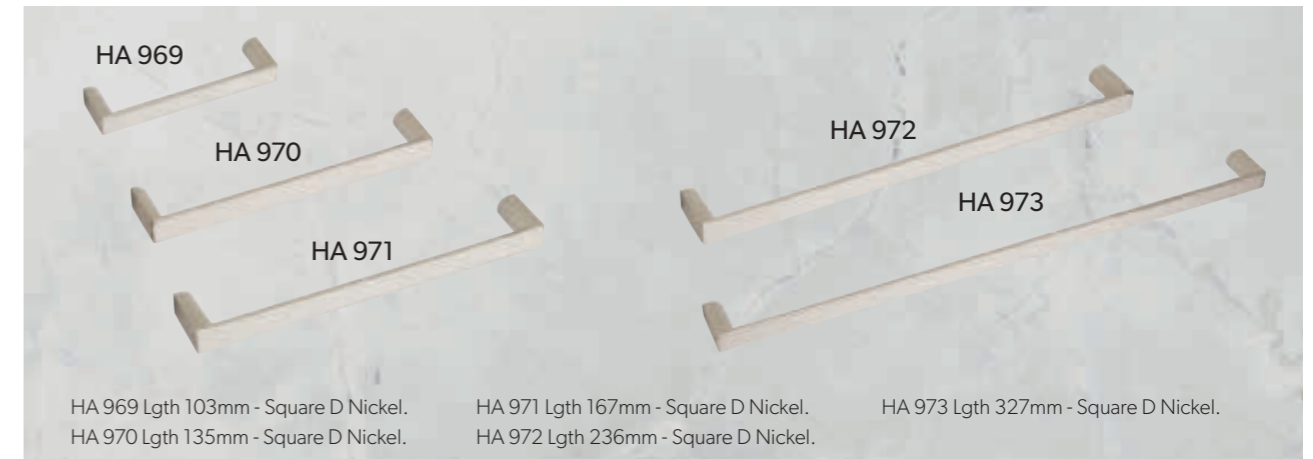
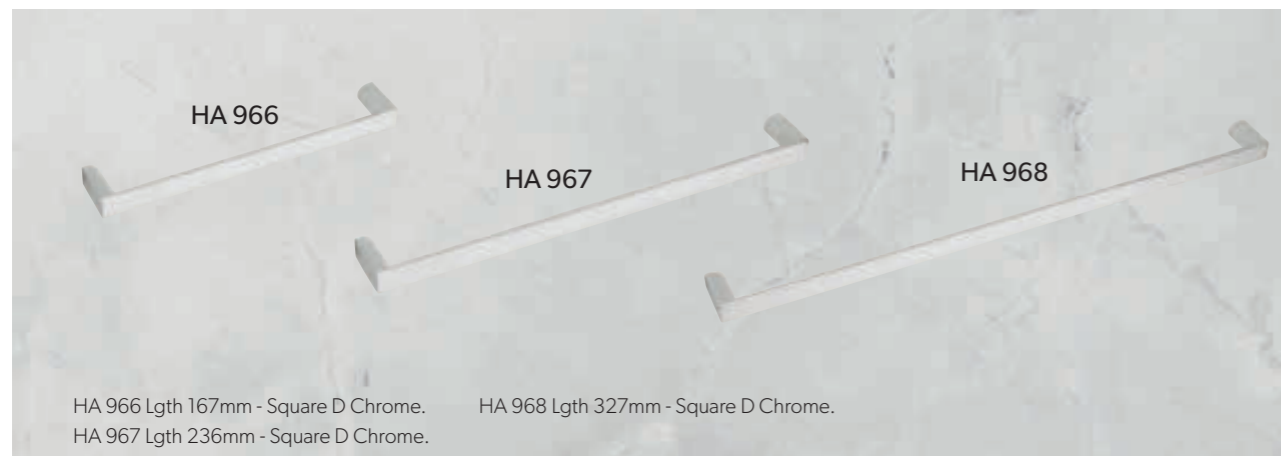
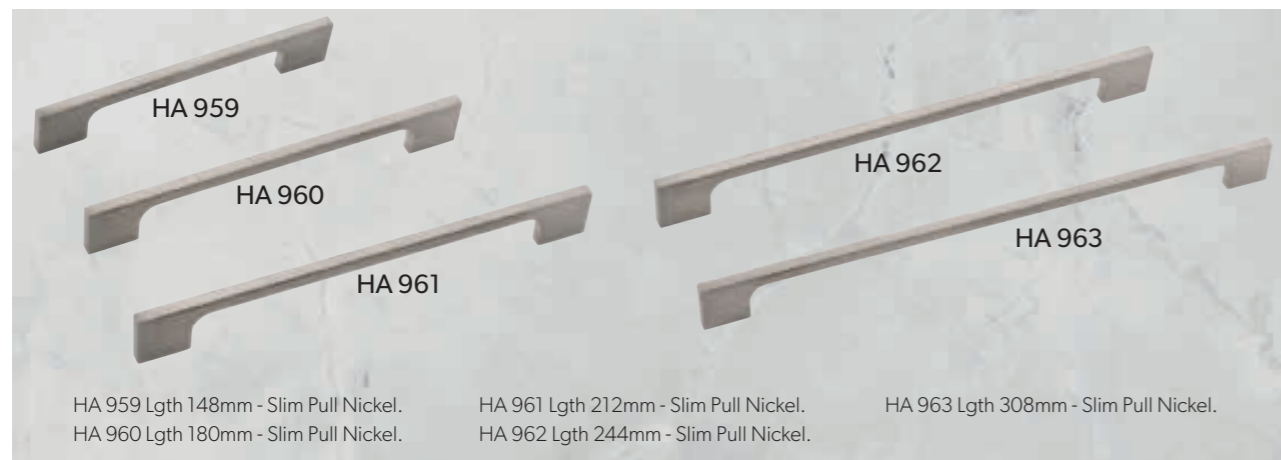
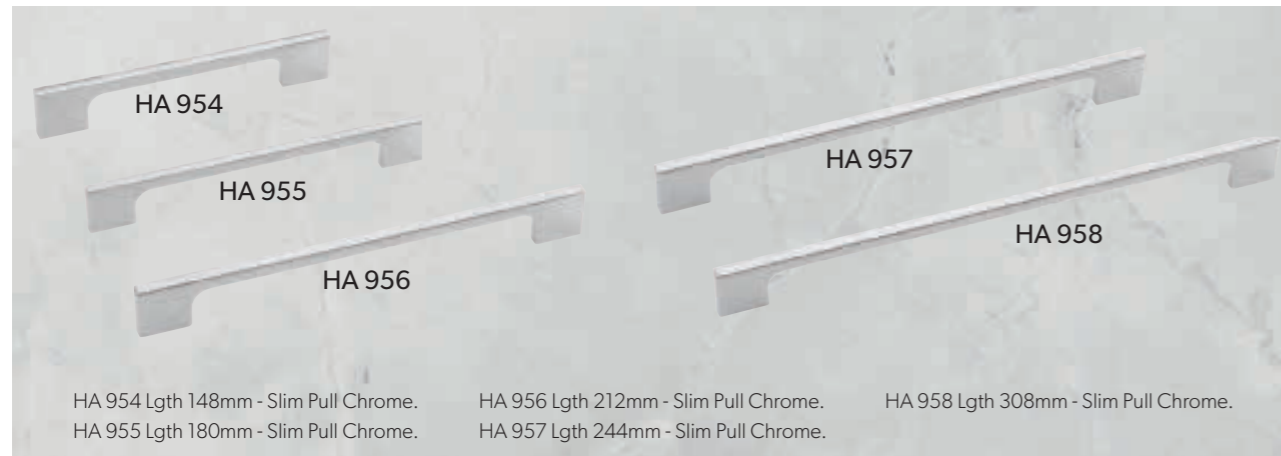
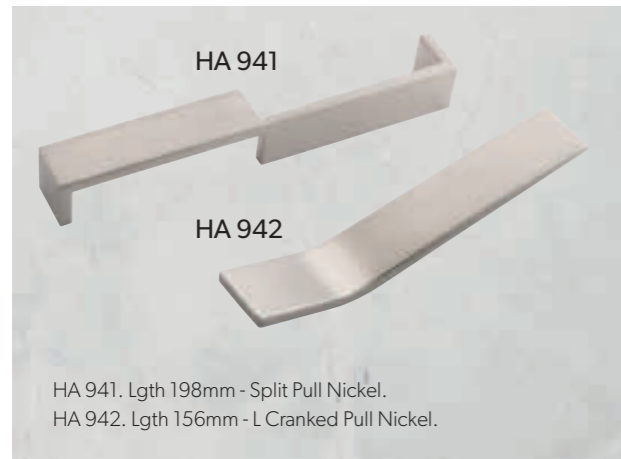
HA 610
HA 611
HA 612
HA 610. Lgth 188mm - Bar Stainless Steel effect.
HA 611. Lgth 237mm - Bar Stainless Steel effect.
HA 612. Lgth 337mm - Bar Stainless Steel effect.

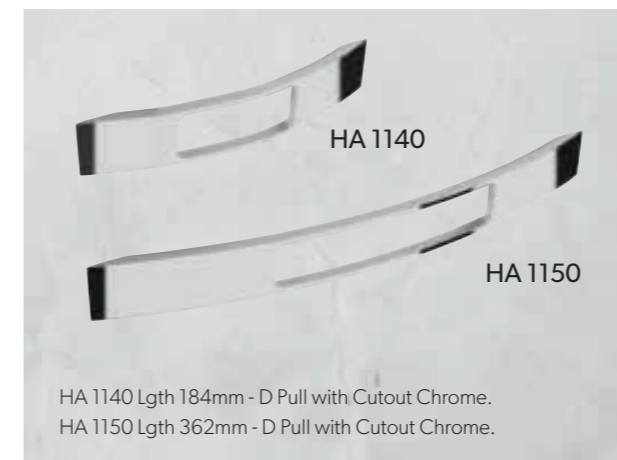
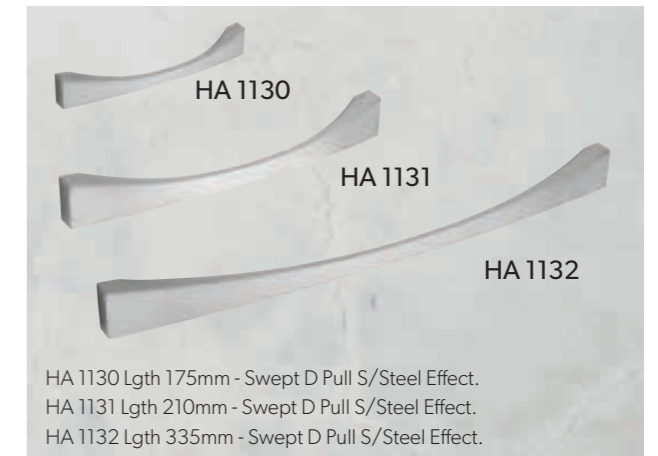
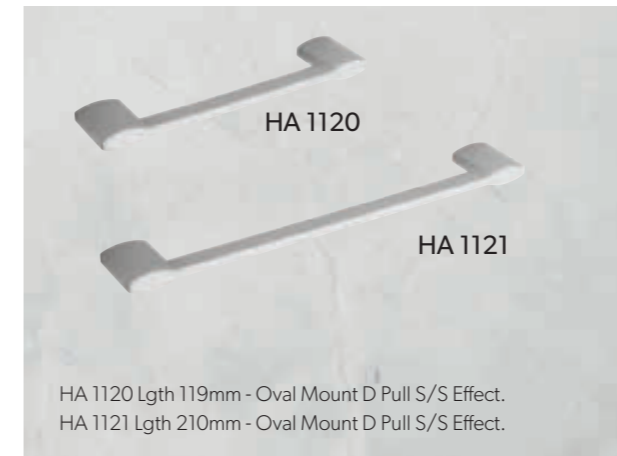
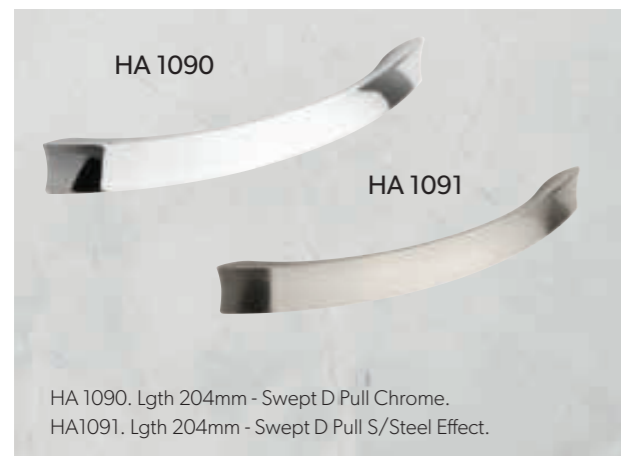
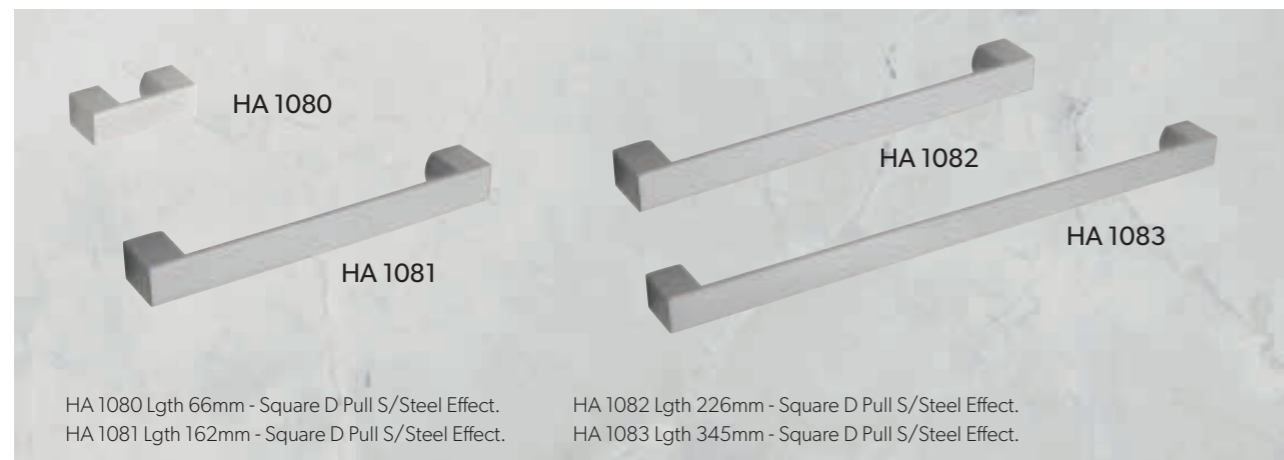
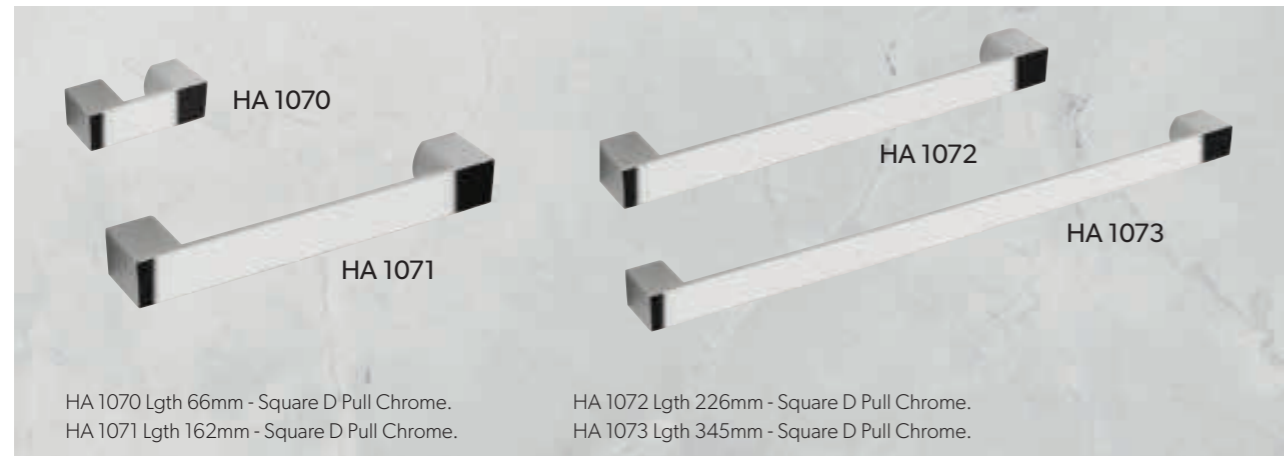
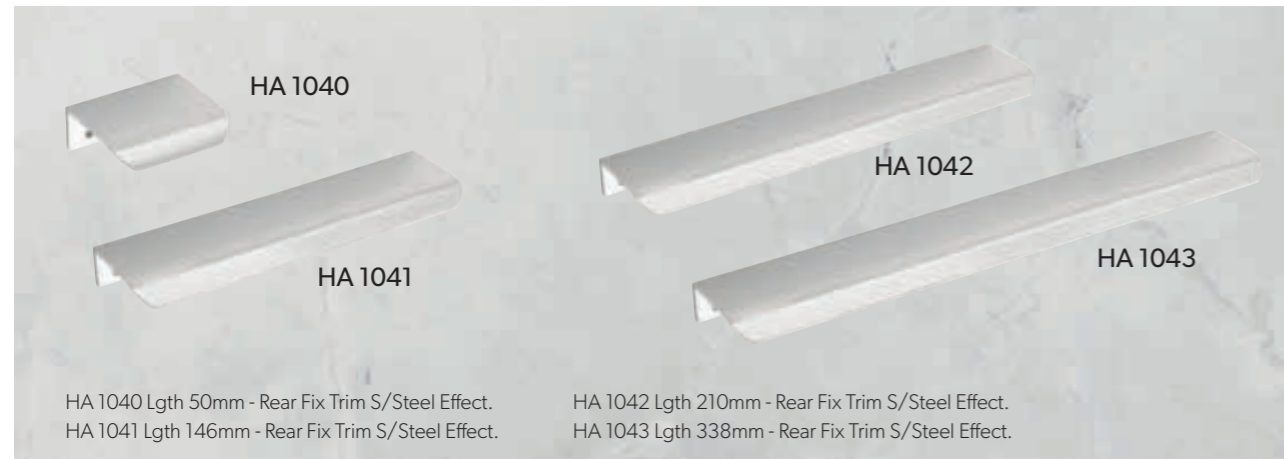


HA 650
HA 650. Lgth 197mm - Boss 22 Stainless Steel effect.











HA 1210 Lgth 38mm - Knob Cast Iron.
HA 1215 Lgth 177mm - Pull Handle Cast Iron.
HA 1216 Lgth 268mm - Pull Handle Cast Iron.



HA 1221 Lgth 38mm - Strap Knob Antique Pewter.
HA 1222 Lgth 192mm - Strap D Antique Pewter.



HA 1225 Lgth 38mm - Knob & Backplate Chrome.



HA 1230 Lgth 32mm - Square Knob Chrome.
HA 1235 Lgth 172mm - D Pull Chrome.

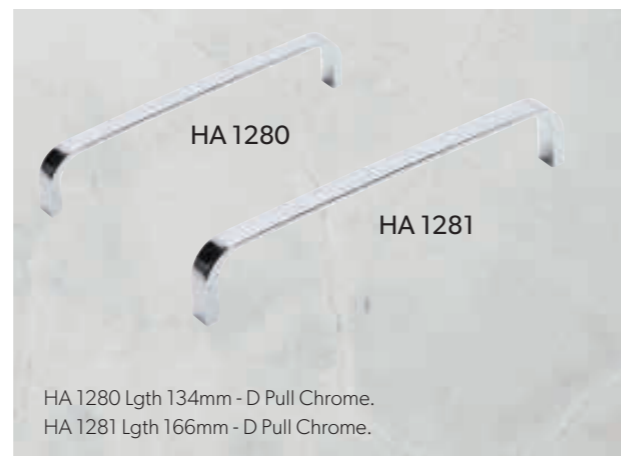


There are 15 optional widths available from 147mm wide to 1197mm wide. Codes 1250 - 1263 are rear fixing. All are Miami Trim Stainless Steel effect.

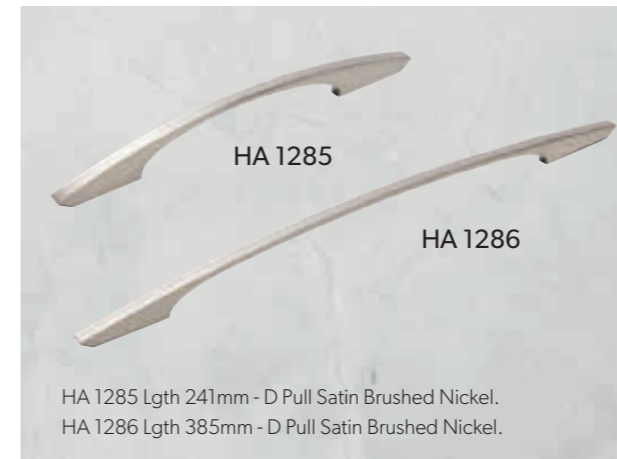
HA 1250. Lgth 147mm
HA 1251. Lgth 247mm
HA 1252. Lgth 277mm
HA 1252A. Lgth 277mm (For Corner Wall Door)
HA 1253. Lgth 297mm
HA 1254. Lgth 347mm
HA 1255. Lgth 397mm
HA 1256. Lgth 447mm
HA 1257. Lgth 497mm
HA 1258. Lgth 597mm
HA 1259. Lgth 697mm
HA 1260. Lgth 797mm
HA 1261. Lgth 897mm
HA 1262. Lgth 997mm
HA 1263. Lgth 1197mm



HA 1275 Lgth 134mm - D Pull Satin Brushed Nickel.
HA 1276 Lgth 166mm - D Pull Satin Brushed Nickel.



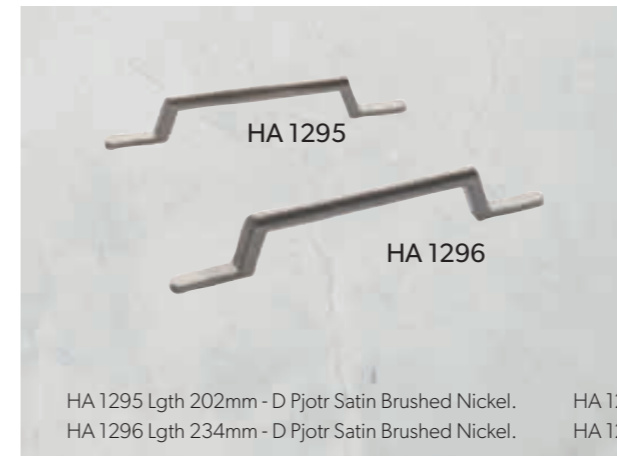
HA 1280 Lgth 134mm - D Pull Chrome.
HA 1281 Lgth 166mm - D Pull Chrome.



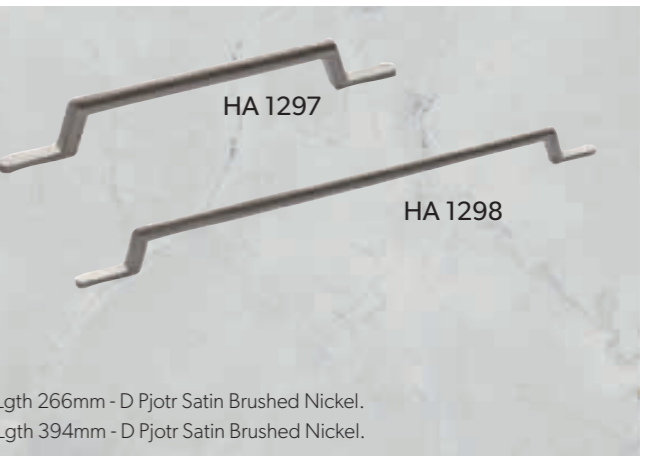
HA 1285 Lgth 241mm - D Pull Satin Brushed Nickel.
HA 1286 Lgth 385mm - D Pull Satin Brushed Nickel.



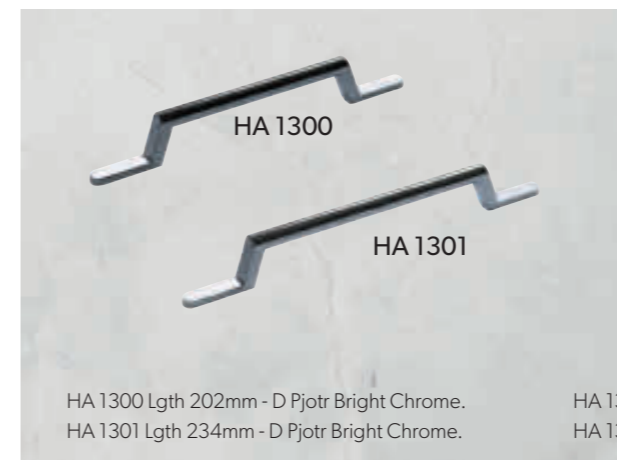
HA 1290 Lgth 241mm - D Pull Bright Brushed Nickel.
HA 1291 Lgth 385mm - D Pull Bright Brushed Nickel.



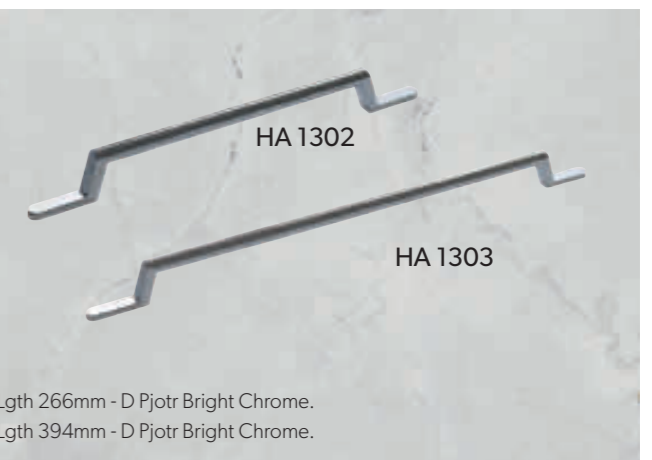
HA 1295 Lgth 202mm - D Pjotr Satin Brushed Nickel.
HA 1296 Lgth 234mm - D Pjotr Satin Brushed Nickel.



HA 1297 Lgth 266mm - D Pjotr Satin Brushed Nickel.
HA 1298 Lgth 394mm - D Pjotr Satin Brushed Nickel.



HA 1300 Lgth 202mm - D Pjotr Bright Chrome.
HA 1301 Lgth 234mm - D Pjotr Bright Chrome.



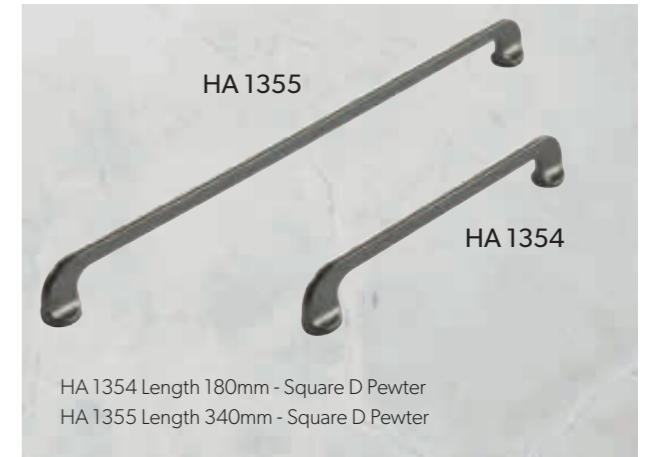
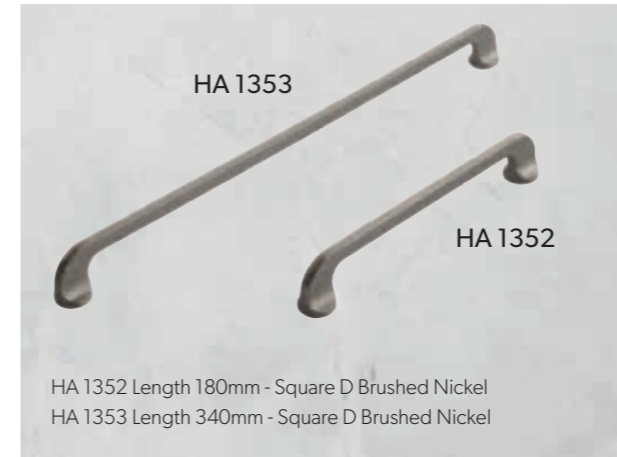
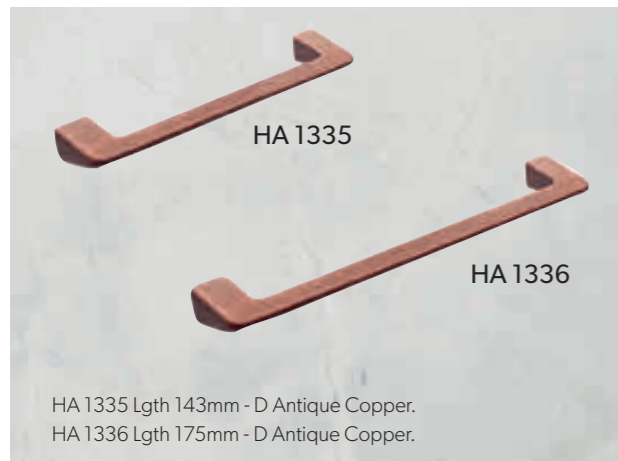
HA 1302 Lgth 266mm - D Pjotr Bright Chrome.
HA 1303 Lgth 394mm - D Pjotr Bright Chrome.



HA 1310 Lgth 178mm - D Brushed Nickel.



HA 1311 Lgth 336mm - D Brushed Nickel.





kitchen lighting

& Power Accessories

Vega Diffused Surface / Recessed Light

Brushed Nickel body, supplied with a collar for surface mounting or use without for recessing. Diffused lighting mimics the appearance of halogen, with no visible LED points. 2.3W. 12Vdc. IP20 rated

Available in:
Natural White
Warm White

Code
SLVEGSRNW
SLVEGSRWW

Drivers Required:
12Vdc 8W LED (1-3 lights)
12Vdc 15W LED (1-6 lights)

SL3PD
SL6PD

Spacer Depth
16mm
Cut out size = 57mm

Vega Diffused LED Designer Tri-Light

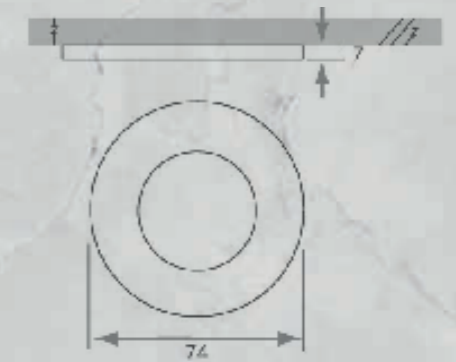
Stainless Steel body. Diffused lighting mimics the appearance of halogen, with no visible LED points. 2.3W. 12Vdc. IP20 rated

Available in:
Natural White
Warm White

Code
SLVEGTRINW
SLVEGTRIWW

Drivers Required:
12Vdc 8W LED (1-3 lights)
12Vdc 15W LED (1-6 lights)

SL3PD
SL6PD



Sirius Magnetic Diffused LED Super Slim Cabinet Light

Brushed Nickel super slim 8mm cabinet light with diffused cover. Available in Natural White or Warm White. The unique magnetic fixing method makes for ease of installation. 2W. 12Vdc. IP20 rated

Available in:
Natural White
Warm White

Code
SLSLIMNW
SLSLIMWW

Drivers Required:
12Vdc 8W LED (1-3 lights)
12Vdc 15W LED (1-6 lights)

SL3PD
SL6PD



Solaris Diffused LED Cabinet Light

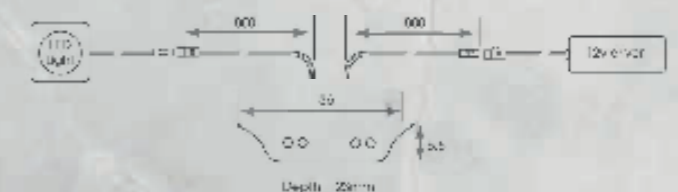
Designed for either under cabinet or in cabinet lighting, the Solaris light features an aluminium body engineered to a super slim depth of only 6mm. The diffused light has a 120 degree beam angle which will fill cabinets or eliminate dark areas of work surface. 3.5W. 12Vdc. IP20 rated

Available in:
Natural White

Code
SLSOLNW

Drivers Required:
12Vdc 8W LED (1-3 lights)
12Vdc 15W LED (1-6 lights)

SL3PD
SL6PD

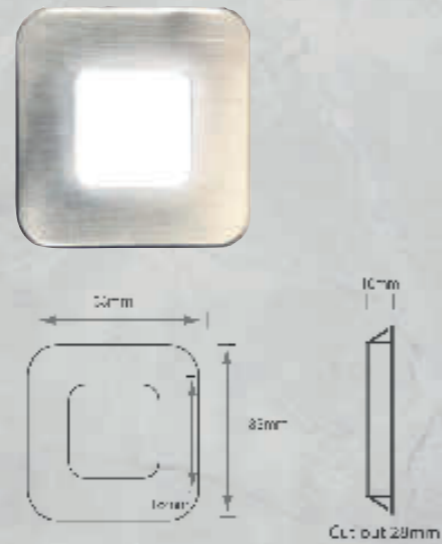


Single & Double Door Sensor Switch

Designed for single or double doored cabinets. Automatically turning on an internal light (or vertical strip lighting in taller units) when the cabinet door is opened. Light turns off when cabinet door is closed. Sensor switch is designed for use with one light. 24W maximum. Surface mounted. 800mm cable length.

Single Door Sensor Switch
Single Door Sensor Switch

Code
SLSSEN1
SLSSEN2



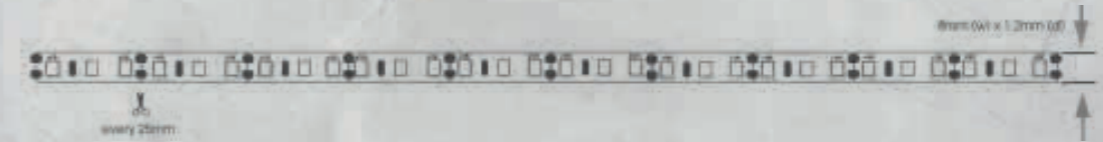
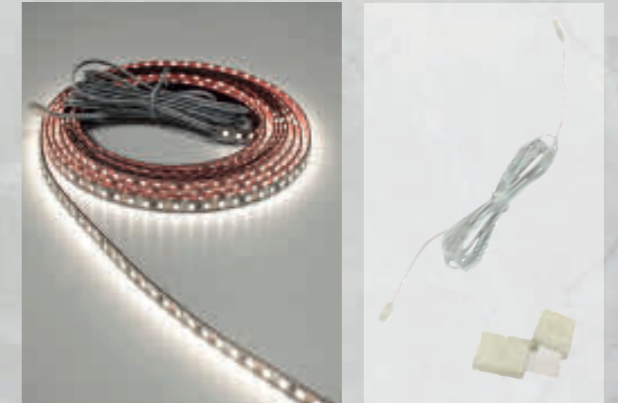
Vega Square Plinth Light Kit (Pack of 4) inc Driver

Enabling plinth lighting to match the balance of our diffused lighting range, these carefully selected lights have been chosen to compliment slab, shaker, 'J' profile and handleless kitchen styles. Available in Natural White only, making them suitable for both contemporary and traditional kitchens.

Recessed installation. Sold as pack of four. 12V. 1.2W. Cable length 1.5metre. IP20 rated. Driver included.

Available in:
Natural White (pack of 4)

Code
SLVEGSQNW

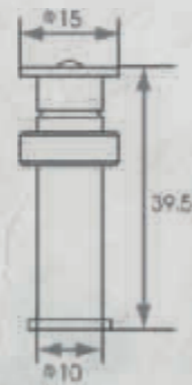
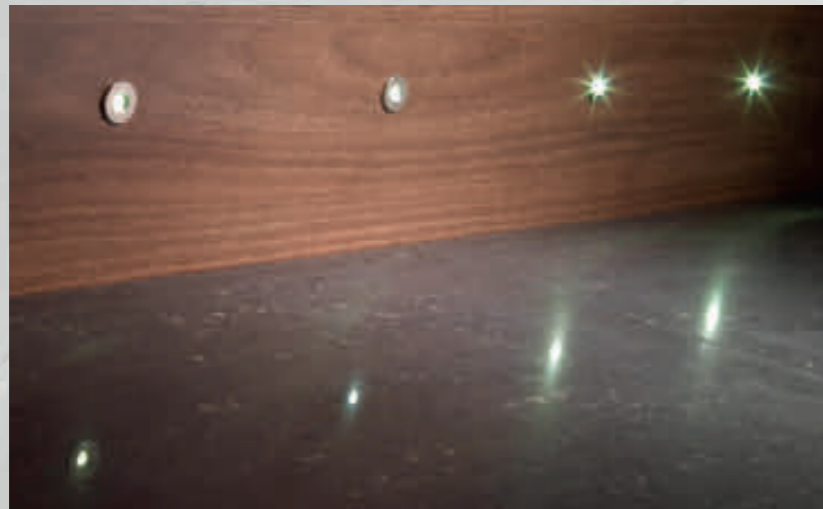


LED Strip Lighting

Five metres of LED strip supplied with a high contact adhesive backing. Can be cut at 25mm intervals. Available in Natural White or Warm White light. Also available, corner connectors and reconnection clamp/cable. 12V. 4W per metre. 120 LED's per metre. Cable length 2 metres at each end. IP20 rated.

Available in:
Natural White
Warm White
Reconnection Clamp with 2m Cable
Corner Connectors
Driver Required 15W (runs up to 3m)
Driver Required 20W (runs up to 5m)

Code
SILLEDSTNW
SILLEDSTWW
SLRECCL
SLCORCON
SL6PD
SL6PD20W

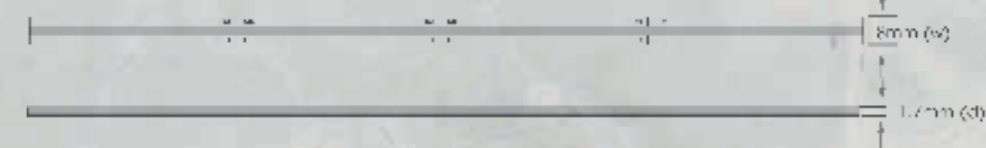
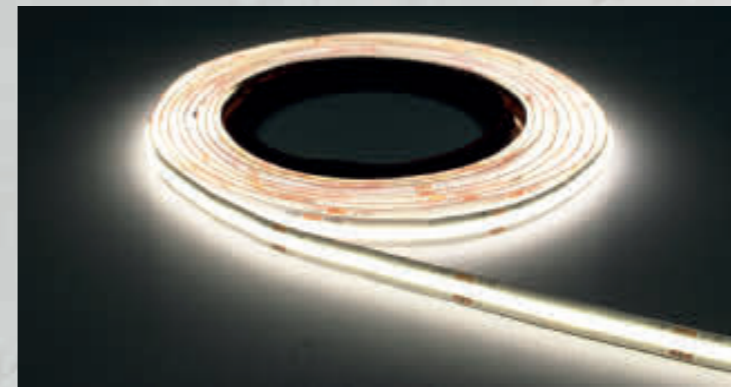


15mm Round LED Plinth Light Kit (Pack of 10) inc Driver

If discreet plinth lighting is required, this selection is the perfect specification. The kit includes ten 15mm round plinth lights available either in Cool White or Warm White light. Driver included. 12V. 0.2W. Cable length 2 metres. IP67 rated.

Available in:
Cool White (pack of 10)
Warm White (pack of 10)

Code
SLPLINHCW
SLPLINHWW



Diffused LED Strip Lighting (5 Metres)

Five metres of COB diffused LED lighting strip supplied with high contact adhesive 3M backing. This lighting offers a consistent level of lighting throughout the length, with no visible diodes. Can be cut at 50mm intervals. Available in Natural White or Warm White light. Also available reconnection distribution cable. 12V. 4W per metre. 378 LED's per metre. Cable length 1.5 metres at each end. IP20 rated.

Available in:
Natural White
Warm White
Reconnection Distribution Cable (1.5m)
Driver Required 15W (runs up to 3m)
Driver Required 20W (runs up to 5m)

Code
SLCOBLEDNW
SLCOBLEDWW
SLRECD15
SL6PD
SL6PD20W



Non Diffused LED Designer Polaris Triangle Light

Stainless Steel body.
Non diffused
1.8W. 12Vdc.

Available in:
Cool White

Code
SL24PTSS

Drivers Required:
12Vdc 8W LED (1-3 lights)
12Vdc 15W LED (1-6 lights)

Code
SL3PD
SL6PD



8W 12Vdc LED Driver / Power Connector

12Vdc rated. 8W maximum. Complete with 3 way AMP block.

Code SL3PD



15W 12Vdc LED Driver / Power Connector

12Vdc rated. 15W maximum. Complete with 6 way AMP block.


Code SL6PD



20W 12Vdc LED Driver / Power Connector

For use with LED strip light over 3 metres in length.
12Vdc rated. 20W maximum. Complete with 6 way AMP block.

Code SL6PD20W



Aluminium Profiles For use with LED strip lighting

Stainless Steel body.
Surface mounted.
1.8W. 12Vdc.

Code
SLALPR2

2000mm in length





Powertech Power Socket Pop Up

Space saving pop up socket specifically designed for use within the kitchen. Alternative to unsightly wall sockets. Choice of Stainless Steel Effect or Black Swivel top. Can be operated in up or down position. 3 x 3pin UK sockets and 2 x USB ports. Capable of simultaneous power and charging. Simple installation process. 102mm cut out. 100A per USB port.

Available in:
Powertech with Stainless Steel Effect Top
Powertech with Black Top

Code
SLPTMSS
SLPTBL



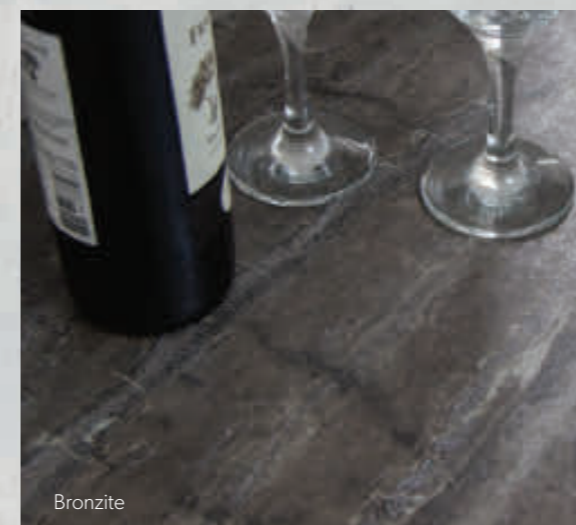
38mm
Laminate
worktops
Post formed & Square Edged

LOOK & FEEL REAL

This year's trends see surfaces go natural, from rustic timber designs entwined with knots to characterful stone designs enriched with intricate detail. Our worktop range boasts many of the best 'natural' designs brought to life by realistic surface textures.



Coco Bolo



Bronzite

ACCESSORIZE THE LOOK

Co-ordinating splashbacks and upstands are an effective way to complete and enhance your kitchen design. They also remove the need of tiles saving you installation and maintenance time and money.

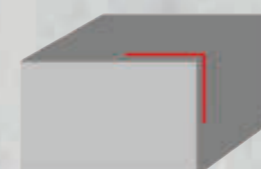


Designer Black

SUPERIOR PERFORMANCE

For high volume traffic kitchens the durability of a worktop is key, for this reason we have launched a range of Aeon technology enhanced performance laminate worktops. With 3-5X more wear, scuff and scratch resistance than a standard laminate combined with improved clarity, colour and fidelity, you can count on these surfaces to look newer, longer.

Edge Profile Types



Square Edge



3mm Postformed

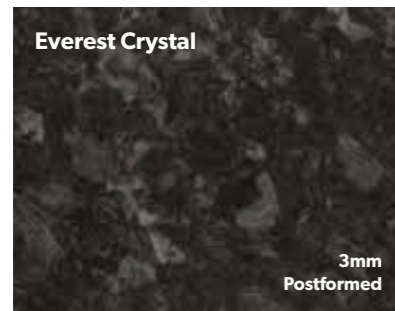


6mm Postformed

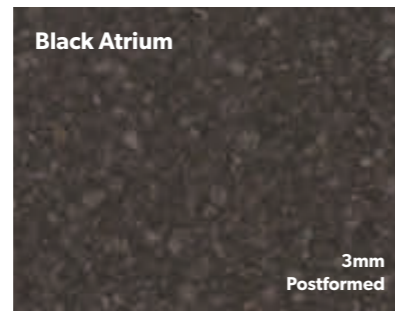


10mm Postformed

PREMIER



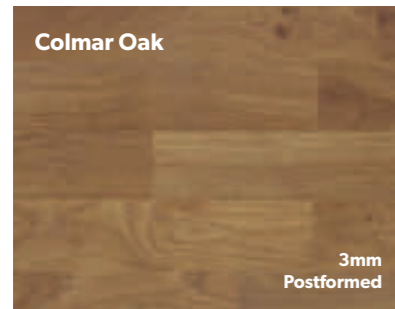
ColorFill - Dark Grey



ColorFill - Green Slate



ColorFill - Stone



ColorFill - Medium Bridge Oak



ColorFill - Medium Bridge Oak

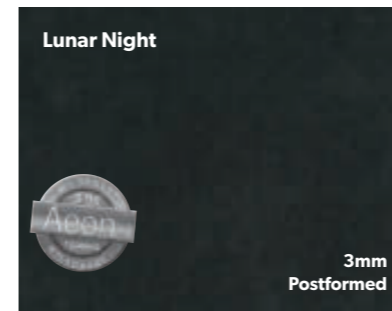
DESIGN TIP

Why not incorporate a matching upstand or splashback to create definition and continuity to your kitchen worktop.

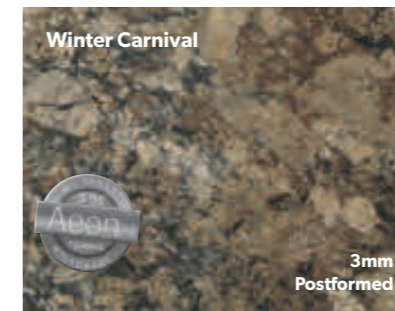
Upstand: 3m x 95 x 12mm

Splashback: 3m x 1200 x 9mm

PREMIER LUX



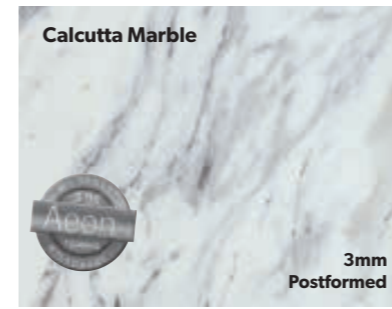
ColorFill - Grey Slate



ColorFill - Black Granite



ColorFill - Taura

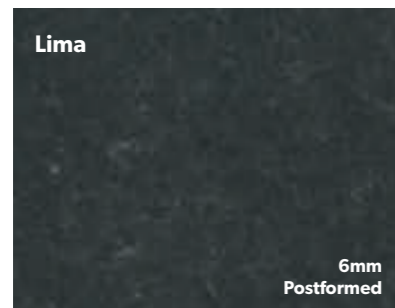


ColorFill - Cool Palette

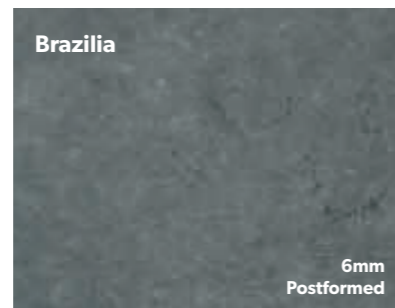


See below colour swatch for ColorFill recommendation.

PREMIER PLUS



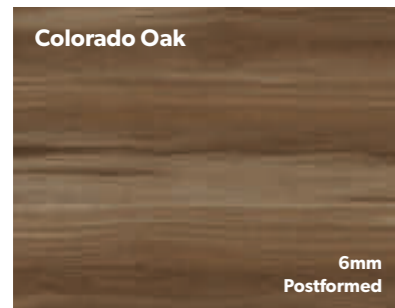
ColorFill - Dark Melange



ColorFill - Stardust



ColorFill - Dark Granite



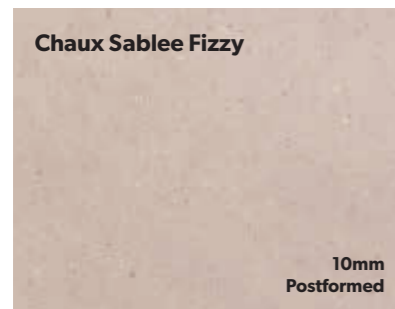
ColorFill - Colorado Oak



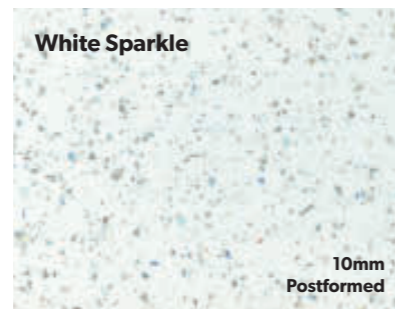
ColorFill - Dexion Grey



ColorFill - Storm

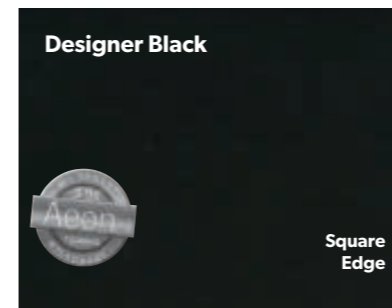


ColorFill - Folkestone

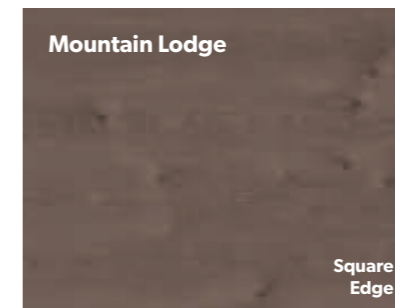


ColorFill - Grey Glint

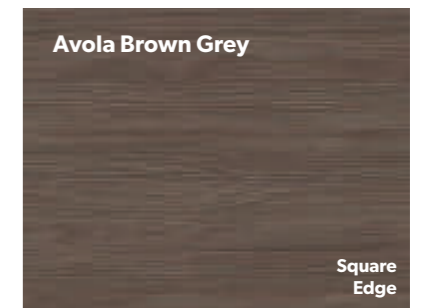
PREMIER SQUARE EDGE



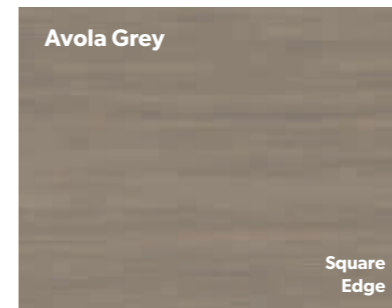
ColorFill - Black Granite



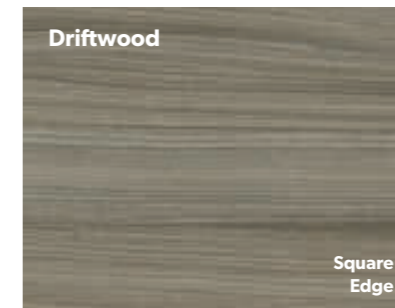
ColorFill - Dark Granite



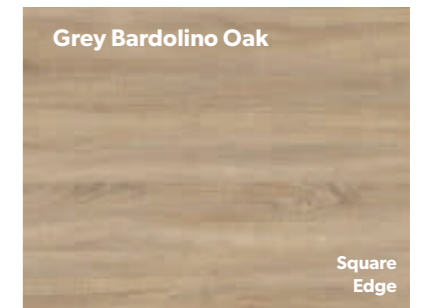
ColorFill - Taura



ColorFill - Grey



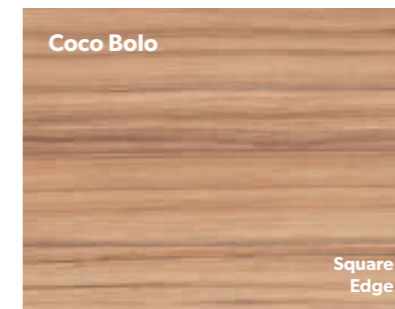
ColorFill - Earth Dust



ColorFill - Grey Oak



ColorFill - Mississippi Pine



ColorFill - Coffee Cream



ColorFill Solvent
150ml
10CF50LV

STRATUS

KITCHEN SURFACE SOLUTIONS

12mm COMPACT LAMINATE WORKTOPS

SLIMLINE & DURABLE. As design trends have developed to thinner worktops, the Stratus range of 12mm compact worktops takes the design solutions available to a whole new level.

These durable, modern designs with a range of textures, offer sleek lines combined with a high level of performance in the demanding kitchen environment. Stratus brings to you a way to turn your kitchen into a piece of art.

Presenting Stratus Kitchen Surface Solutions, a co-ordinated range including breakfast bars, worktops, splashbacks and upstands.

A perfect blend of style, utility and durability, these temperature-neutral and easy-to-install kitchen surfaces bring your kitchen alive through countless textures and designs. Available in stone, woodgrain and unicolour finishes.

Available in:-

- 3050mm x 615mm x 12mm Worktop
- 3050mm x 900mm x 12mm Worktop
- 3050mm x 95mm x 12mm Upstand
- 3000mm x 600mm x 9mm Splashback (MDF)

Stratus Jointing Kit (One joint per kit)

Stauario	TS290001-UV
Houston	TS290006-UV
Anthracite	TS290007-UV
Artisan Oak	TS290013-UK
Marmor, Madison, Neptunite & Antico	TS290037-UV

Compact Laminate Worktop Cutting Jig **COMWJ**



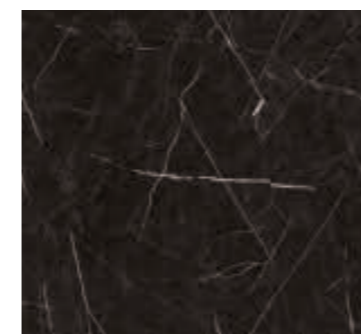
Statuario - Stone (Satin) White Core



Artisan Oak - Woods Black Core

- ABRASION RESISTANT**
- HEAT RESISTANT**
- FIRE RESISTANT**
- EASY TO MAINTAIN**
- SAFE CONTACT WITH FOOD**
- AIR QUALITY GREENGUARD CERTIFIED**
- BEAUTIFUL TEXTURES**
- ANTI-BACTERIAL**

- SELF SUPPORTING (12MM)**
- MOISTURE RESISTANT**
- SUSTAINABLE**
- HIGH WEAR RESISTANCE**
- IMPACT RESISTANT**
- MACHINABLE THROUGH ITS THICKNESS**
- EASY TO FABRICATE**
- TEMPERATURE NEUTRAL**



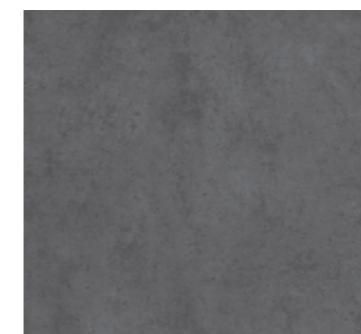
Black Marmor - Stone (Satin) Black Core



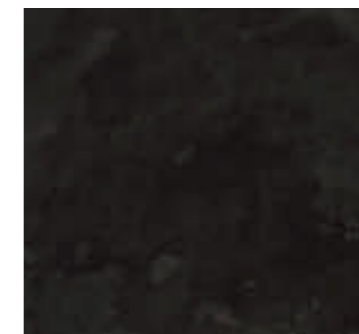
Houston - Concrete (Suade) Black Core



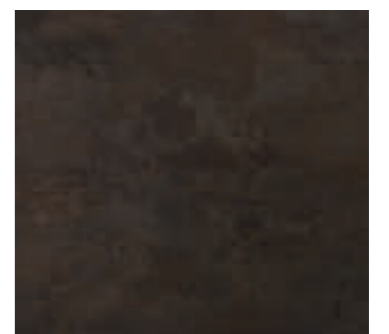
Anthracite - AFX (Anti Fingerprint) Black Core



Madison - Concrete (Suade) Black Core



Neptunite - Concrete Black Core



Antico - Concrete Black Core

internal accessories

Chrome Wine Rack
Five Tier Chrome
01CWR

Holds 15 bottles base
or side wall mounted



150mm Round Chrome Wire Pull-out
Soft Closing
01150PB

Fascia & Handle
NOT Included



180° Neutral Carousel
For Conventional Corner base unit
Off White
Minimum door width 447mm
10C180N



180° Chrome Carousel
For Conventional Corner base unit
Minimum door width 400mm (800mm base) 450mm (900mm base).
Weight capacity - 9kg per shelf
10C180C



270° Neutral Carousel
For 905mm x 905mm Corner base unit
Off White
10C270N



270° Chrome Carousel
For 905mm x 905mm Corner base unit
Weight capacity - 16kg per shelf
10C270C



Round Chrome Magic Corner
For 1000mm Conventional Corner base unit.
Universal Left or Right Hand.
Will work with 450mm, 500mm & 600mm doors.
01MAGIC



Flat Chrome Pull-out Larder
Italian manufactured, universal left or right hand hinge.
Suitable for Standard Height or Tall Height. Ideal for 'J' Profile Doors.
Cranked operation. Baskets pull out when door opens.
Available in 4 widths.
300mm 01FWPL3 500mm 01FWPL5
400mm 01FWPL4 600mm 01FWPL6



Pull-out Larder Sets
Italian manufactured.
Suitable for Standard Height or Tall Height.
Available in 4 widths.
300mm 01NCPL3 500mm 01NCPL5
400mm 01NCPL4 600mm 01NCPL6



Blum Antaro Space Tower
4 deep drawers, 1 shallow.
Weight capacity - 30kg per drawer.
Guaranteed for life.
Available in 4 widths.
300mm CCAIDK3 500mm CCAIDK5
400mm CCAIDK4 600mm CCAIDK6



Cutlery Trays Grey vacuum formed
300mm width 10TBCT3 450mm width 10TBCT45
400mm width 10TBCT4 500mm width 10TBCT5
600mm width 10TBCT6



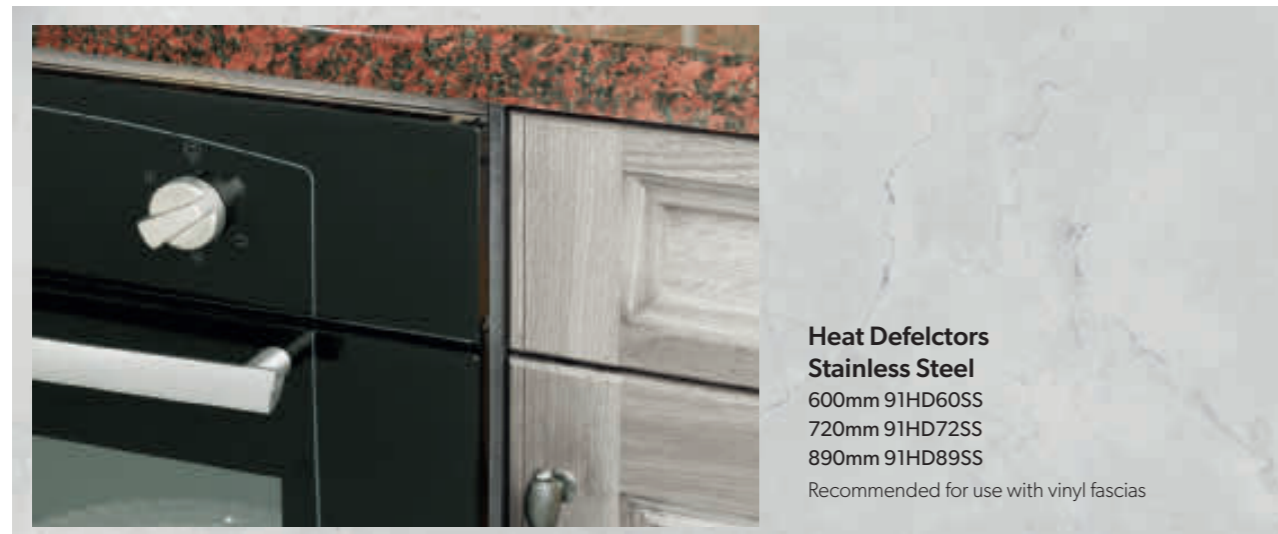
Wicker Basket & Runner
500mm wide. Set of one.
01WBS50



Drawer Mat Roll
(1.5 metre x 0.5 metre)
Grey rubber textured anti bacterial
01ASM



Cutlery Trays Grey vacuum formed
700mm width 10TBCT7 900mm width 10TBCT9
800mm width 10TBCT8 1000mm width 10TBCT10
1200mm width 10TBCT12



**Heat Deflectors
Stainless Steel**
600mm 91HD60SS
720mm 91HD72SS
890mm 91HD89SS
Recommended for use with vinyl fascias



**Twin Towel Rail Alloy, Silver
Anodised Aluminium**
10TOWELA
Side mounting
Installed length 460mm
Extension length 347mm

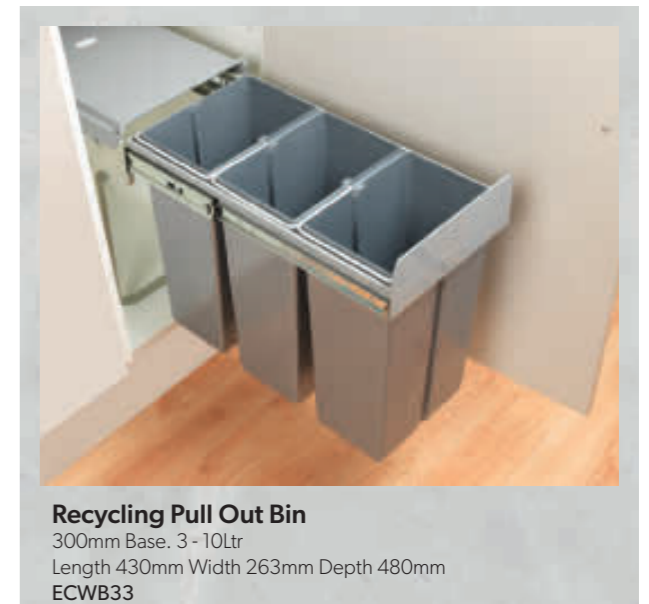
legs



Adjustable Leg Chrome
(Decorative)
01SSLEG



Recycling Pull Out Bin
300mm Base. 1 - 20Ltr, 1 - 10Ltr
Length 430mm Width 263mm Depth 480mm
ECWB32



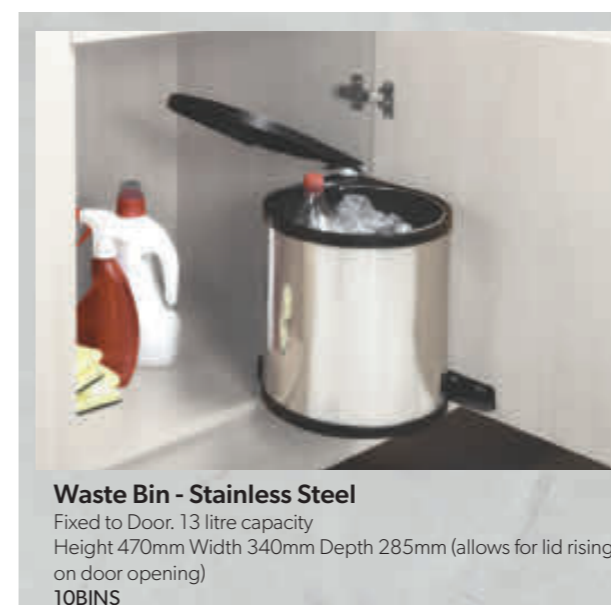
Recycling Pull Out Bin
300mm Base. 3 - 10Ltr
Length 430mm Width 263mm Depth 480mm
ECWB33



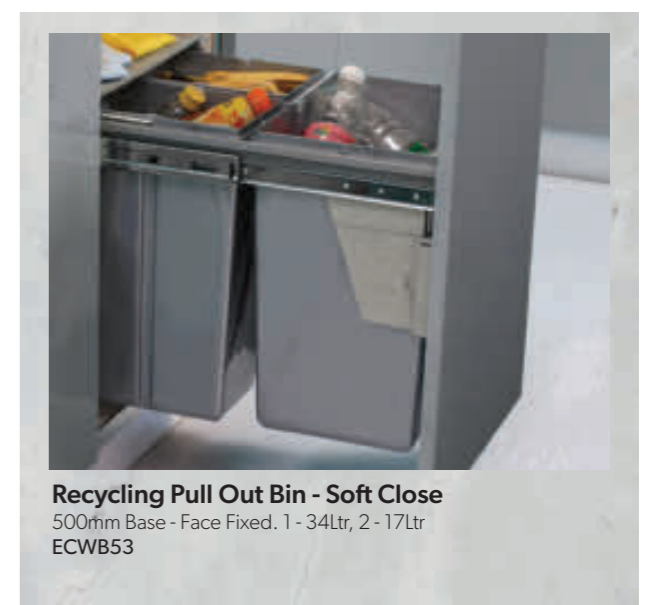
Recycling Pull Out Bin
400mm Base. 1 - 20Ltr, 2 - 10Ltr
Length 420mm Width 340mm Depth 480mm
ECWB43



Recycling Pull Out Bin
600mm Base. 1 - 34Ltr, 2 - 17Ltr
Length 540mm Width 529mm Depth 494mm
ECWB63



Waste Bin - Stainless Steel
Fixed to Door. 13 litre capacity
Height 470mm Width 340mm Depth 285mm (allows for lid rising on door opening)
10BINS



Recycling Pull Out Bin - Soft Close
500mm Base - Face Fixed. 1 - 34Ltr, 2 - 17Ltr
ECWB53



Stainless Steel Effect Plinth
 (Comprises: 1 x 3 mtr length, 4 clips,
 2 corners & 1 Straight Joint)
 150mm x 3mtr 01SSP150
 180mm x 3mtr 01SSP180



Stainless Steel Effect Curved Plinth LH + RH
 150mm 01CSSPL150 - LH
 150mm 01CSSPR150 - RH
 180mm 01CSSPL180 - LH
 180mm 01CSSPR180 RH



Refrigeration Plinth Vents

Silver
 458mm x 65mm
 Recessed length 448mm
 Over 200cm² ventilation
 01VGMS

Avoids warranty of refrigeration becoming void.



3 metre 5" Universal Venting Kit
 9135UVK



1 metre 5" Universal Venting Kit
 9115UVK

DO NOT USE IF APPLIANCE REQUIRES 6" VENTING KIT



Mitre Bond Pen Kit - 3 x 50G
 Adhesive + Pen
 (Recommended for careful use with pvc cornice)
 10MBPK



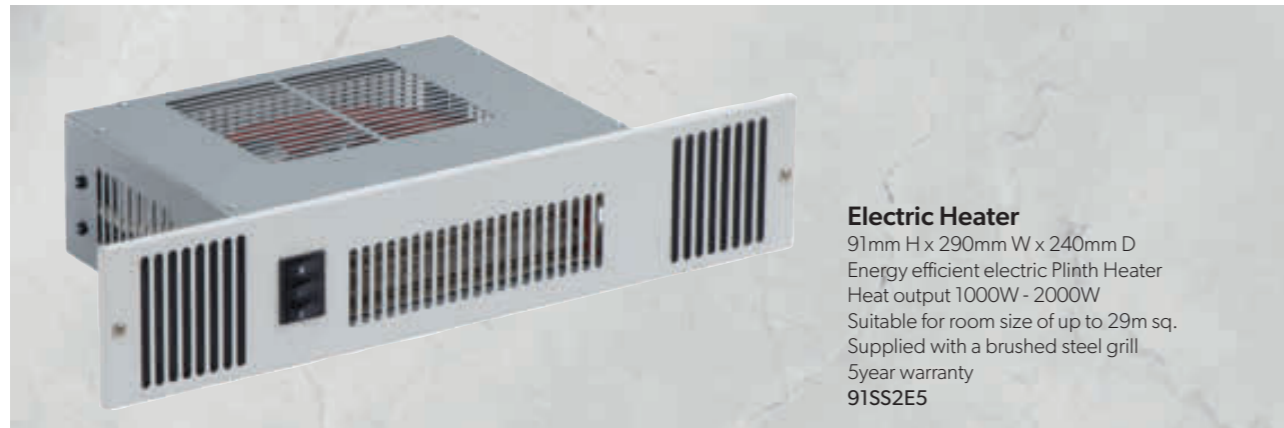
Mitre Bond Joint Adhesive
 (For general bonding, not for use on pvc)
 10CFMB150



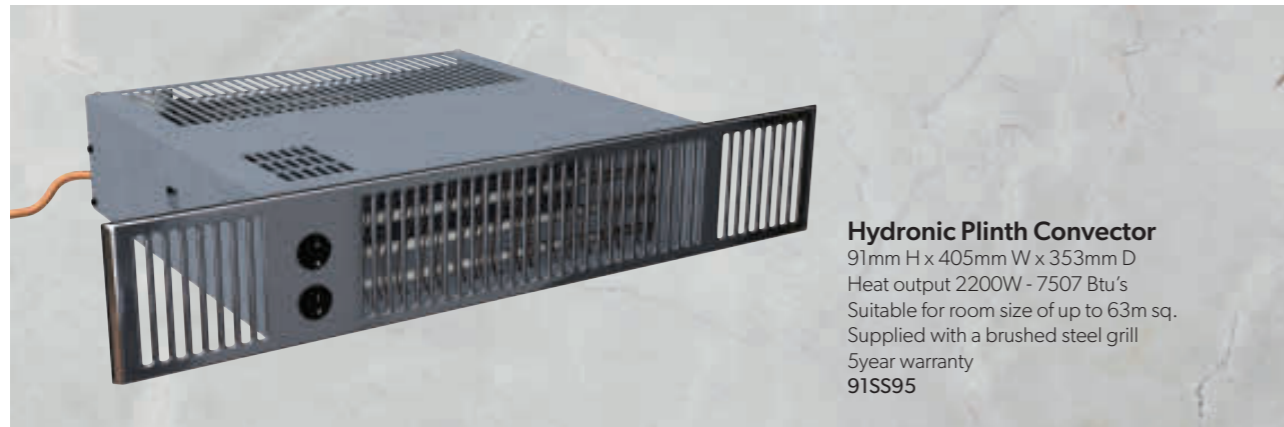
3Mtr Kitchen Plinth Sealing Strip
 (Pack of 25 Lengths)
 Suitable for 18mm plinth
 01KPSTRIP



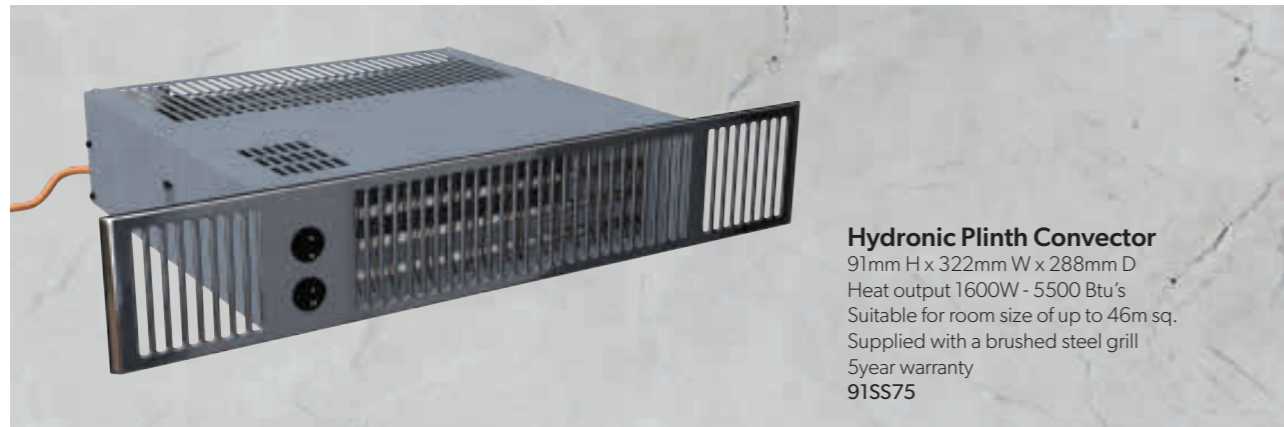
Worktop Mitre Jointing Bolts
 01WMB
 Suitable for 40mm worktops



Electric Heater
 91mm H x 290mm W x 240mm D
 Energy efficient electric Plinth Heater
 Heat output 1000W - 2000W
 Suitable for room size of up to 29m sq.
 Supplied with a brushed steel grill
 5year warranty
 91SS2E5



Hydronic Plinth Convector
 91mm H x 405mm W x 353mm D
 Heat output 2200W - 7507 Btu's
 Suitable for room size of up to 63m sq.
 Supplied with a brushed steel grill
 5year warranty
 91SS95

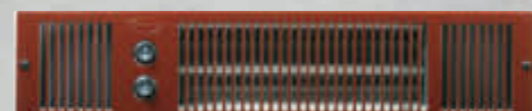


Hydronic Plinth Convector
 91mm H x 322mm W x 288mm D
 Heat output 1600W - 5500 Btu's
 Suitable for room size of up to 46m sq.
 Supplied with a brushed steel grill
 5year warranty
 91SS75

Replacement Coloured Grill Covers are available for all models.



Black



Brown



Chrome



White



bedroom accessories



Wardrobe Pull Out Shoe Rack
 Full extension ball bearing runners.
 Side fixed.
 Silver Aluminium frame with black plastic connectors.

- 450mm Cabinet Width **CBSR450**
- 500mm Cabinet Width **CBSR500**
- 600mm Cabinet Width **CBSR600**
- 800mm Cabinet Width **CBSR800**
- 900mm Cabinet Width **CBSR900**
- 1000mm Cabinet Width **CBSR1000**



Wardrobe Pull Out Trouser Rack
 Full extension ball bearing runners.
 475mm installed depth.
 Side fixed.
 Silver Aluminium frame with black plastic connectors.

- 450mm Cabinet Width 5 Bars **CBTR450**
- 500mm Cabinet Width 7 Bars **CBTR500**
- 600mm Cabinet Width 7 Bars **CBTR600**
- 800mm Cabinet Width 11 Bars **CBTR800**
- 900mm Cabinet Width 13 Bars **CBTR900**
- 1000mm Cabinet Width 13 Bars **CBTR1000**



Pull Down Wardrobe Rail
 Nickel plated rail
 Minimum Load 1.6kg
 Maximum Load 10kg

- 450mm - 600mm Robe **CBPHRS6**
- 600mm - 1000mm Robe **CBPHR710**
- Optional Soft Opening Mechanism for Pull Down Wardrobe Rail **CBPHRSC**



Slim Linear Rechargeable Wardrobe Bar Light

Manufactured from aluminium with a diffused cover and built in PIR movement sensor, which turns the light on and off when the furniture door is opened and closed. Estimated to last three months under average daily use before requiring a recharge.

The light is held in place by two small magnets that are supplied and fitted to the underside of the wardrobe shelving. This feature allows for quick and simple removal, when charging. USB recharging lead supplied.

Available in Natural White light only and in two sizes:-

200mm x 40mm 9mm (1W 90 lumens)	Code TLW200NW
450mm x 40mm x 9mm (2W 170 lumens)	TLW450NW



Bloc Slim Rechargeable Rectangular Shelf Light

White case with LED light and diffused cover, producing a consistent light without individual diodes visible. This LED light with magnetic fixings is ideal for illuminating internal shelving within bedroom furniture. PIR motion detector activated. Continual running time of 6-8 hours. 3-4 months average running time under average daily use.

4 hours recharge time.
USB cable supplied.
Length = 130mm Width = 75mm Depth = 13mm.
110 lumens.

Available in Natural White light only.

Code TLWBLOCNW



